

GX PS-500™



NEW *from* Gendex!

**Digitalise your Practice –
with Ease, Speed and Comfort.**

Cone Beam 3D Imaging Systems

Panoramic X-ray Systems

Intraoral X-ray Systems

Digital Intraoral Sensors

☒ Digital X-ray Imaging Plates

Intraoral Cameras

Imaging Software

GENDEX™
Always by your side



Enter the digital world – Gendex and the new GXPS-500.

Your practice can smoothly enter into digital imaging with this new image plate scanner from Gendex – the GXPS-500. Acquire clear, sharp images and gain fast digital scanning while keeping the office's familiar workflow process and preserving your past investment in x-ray equipment. Flexible and thin, wireless imaging plates match the sizes and are positioned in the same manner as traditional film.

In an instant, imaging plates are read and cleared for re-use, and digital images are ready for immediate review and diagnosis.

With the GXPS-500, you'll efficiently eliminate the cost, time, and messiness associated with traditional film processing and effectively advance your practice's technology.



Ease

- SmartFeed™ technology reduces user error
- Film-like workflow with the benefits of digital imaging
- Touchless process helps facilitate long plate life



Speed

- Image readout in 5 to 7 seconds
- Save time and enhance productivity by minimizing processing time and maintenance
- Stand-alone or shared operation



Comfort

- Eliminate chemicals to create a safer work environment
- Always-ready function for instant image acquisition whenever PC is switched on
- High image quality
- Tablet connectivity



Ease. And Speed.



Thin and flexible imaging plate.

The smart solution – Film-like imaging plates.

The imaging plates are re-usable and provide similar capabilities as conventional film. They are available in all common film sizes (0,1,2,3), this allows for the same positioning as film. The high dynamic range of the plate prevents over- or underexposure.

Time saving – Speeds up your workflow.

The system makes available digital images of any intraoral size (Size 0 - 3) in a very short time, no dark room processing required. For immediate diagnostics during treatment.



High quality intraoral image.

Every second counts – enjoy short read-out times.

A speedy, 5 to 7-second image readout time accelerates the entire process, delivering clinically balanced, clear and sharp intraoral images to any PC while reducing wait-time for all.

Easy to integrate – minimize your efforts.

Thanks to the small and compact size of the unit, it fits easily into every dental practice. Simple connectivity allows for stand-alone, network or tablet use.





Comfort for you.



Film-like workflow – easy to learn.

Comfortable use – intuitive to learn.

Ready to work virtually out-of-the-box, the GXPS-500 installs and integrates easily and requires minimal training. Your staff will appreciate the simplicity of its film-like workflow and the immediate benefits of reliable, consistent digital image output.



The GXPS-500 comes with all the accessories and software you need! Start working with imaging plates immediately.

Best in practice – Ready to go, right out of the box.

The GXPS-500 comes with a full set of accessories, including imaging plates, protective covers, hygienic bags and a plate storage box. Gendex VixWin™ Platinum software enhances your digital radiology capabilities.

Comfort of safety – chemical-free means hassle-free.

The GXPS-500 features reusable phosphor plates that slip into a protective cover and a hygienic barrier. This touchless system safeguards against scratches and fingerprints to promote long plate life. During processing, plates are cleared and ready for immediate re-use in seconds.

With no chemicals to use, store, replace, and dispose, you'll find the GXPS-500 a faster, smarter, and safer option for your office, your staff, and the environment.

Saves you money – day by day.

Replace the cost and inconvenience of the film processor with reusable, long-lasting imaging plates.

A touchless end-to-end workflow keeps plates protected, decontaminated, and performing dependably time-after-time.

Comfort for your patient.



Reuse existing positioning device with imaging plate and hygienic covers.

Reduced radiation dose protects your patient's health.

The use of imaging plates instead of film can significantly reduce the radiation dose for the patient. This combined with the easy positioning of the plates inside the patient's mouth provide for improved patient comfort.



Image read-out time of 5-7 seconds saves you and your patient time.

Safe and speedy operation saves your patients time and hassle.

The patented hygiene concept consisting of protective covers and hygienic barriers prevents contamination and discomfort due to sharp edges. The fast read-out time and integrated digital imaging workflow reduce the waiting time for your patients.

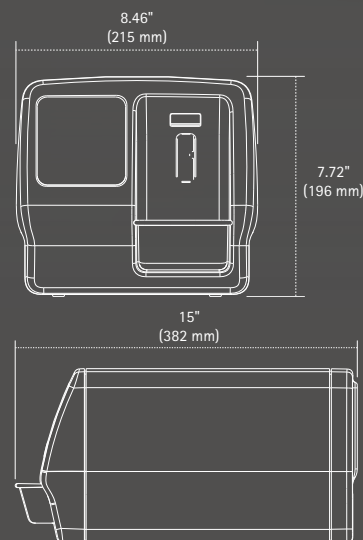
Technical Specifications

Gendex GXPS-500™ Digital X-ray Image Plate Scanner

Operating Voltage	24 VDC (100-240 VAC power supply included)
Frequency	50/60 Hz
Operating Current	Less than 1.5A
Resolution	14 lp/mm
Interface	10/100 with 1GB Compliant Ethernet
Weight	10,3 kg (22,7 lbs)
Warranty	2 years
Intraoral Plate Dimensions	Size 0 - 22 x 31 mm Size 1 - 24 x 40 mm Size 2 - 31 x 41 mm Size 3 - 27 x 54 mm

The Gendex GXPS-500 is a Class I Laser Product and complies with DHHS Radiation Performance Standards 21 CFR, Ch I, Subch. J+EN60825.

Unit Dimensions



PC Requirements	Minimum	Recommended
Operating System	Microsoft Windows XP with service pack SP3	Microsoft Windows 7 Professional 64 bit
Processor	Intel Celeron M 1.6 GHz	Intel Core 2 Duo 2.4 GHz
Memory	2 GB	4 GB
Hard Disk	250 GB	500 GB
Display Settings	1024 x 768 at 32 bit true color	1280 x 1024 at 32 bit true color
Video Memory	1 GB	4 GB
Ethernet Port	10/100 with 1GB Compliant	
Driver	GxPicture 3.2 or higher	
Standards	In compliance with the UL/IEC/EN 60950 standard	

Gendex and GXPS-500 are either registered trademarks or trademarks of Gendex Dental Systems in the United States and/or other countries.



KaVo Dental GmbH
D-88400 Biberach/Riss
Telephone: +49 7351 56-0
Fax: +49 7351 56-1488
www.kavo.com



Scan here for more information

