

GX DP-300™



NEW *from* Gendex!

Performance Meets Simplicity

- Cone Beam 3D Imaging Systems
- ☐ Panoramic X-ray Systems
- Intraoral X-ray Systems
- Digital Intraoral Sensors
- Digital X-ray Phosphor Plates
- Intraoral Cameras
- Imaging Software

GENDEX®
Imaging Excellence Since 1893

GX DP-300™

One look at the new GXDP-300 and it's clear that our focus is you.



Image quality, performance, reliability, and affordability... leave it to Genex to create a digital panoramic system with you in mind. The GXDP-300 incorporates the features you are looking for: the most commonly-used imaging modes; a simple, three-step process; and a sleek, compact body design that's built for long life. With the GXDP-300 panoramic x-ray system, you get exactly what your practice needs for diagnostic efficiency and improved office productivity – great-looking images at a competitive price.

It's time to take a good look at what a Genex digital panoramic system can do for you!



☞ **Good For Your Image**

- High-quality images meet diagnostic demands
- Bitewing view comes standard along with Adult and Child Panoramic and TMJ projections
- New proprietary imaging technology increases the depth-of-field for optimized radiographic image clarity

☞ **Good For Your Team**

- Simple three-step operation — choose the projection, select the patient size, take the pan
- EasyPosition™ system stabilizes patient for clear, consistent images in a short amount of time
- Large LCD touchscreen interface makes program selection intuitive

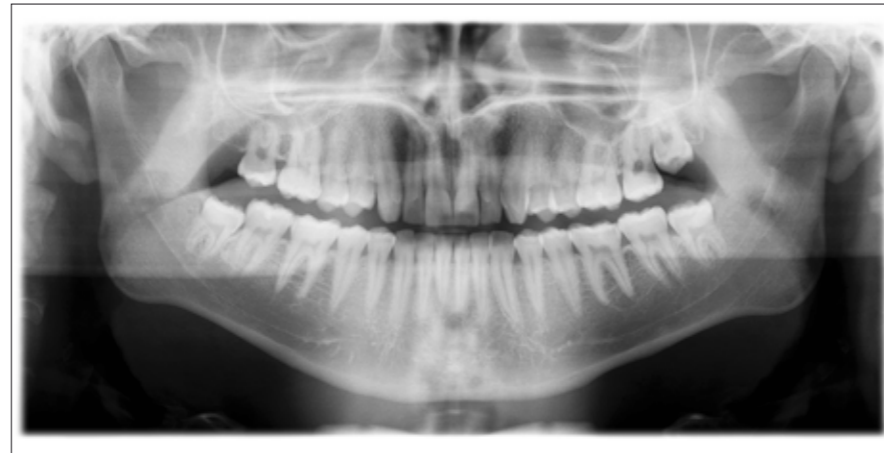
☞ **Good For Your Office**

- Modern design in a compact footprint is an attractive addition into any practice
- Engineering excellence and attentive customer support provide dependable operation
- Integrates easily into the office network

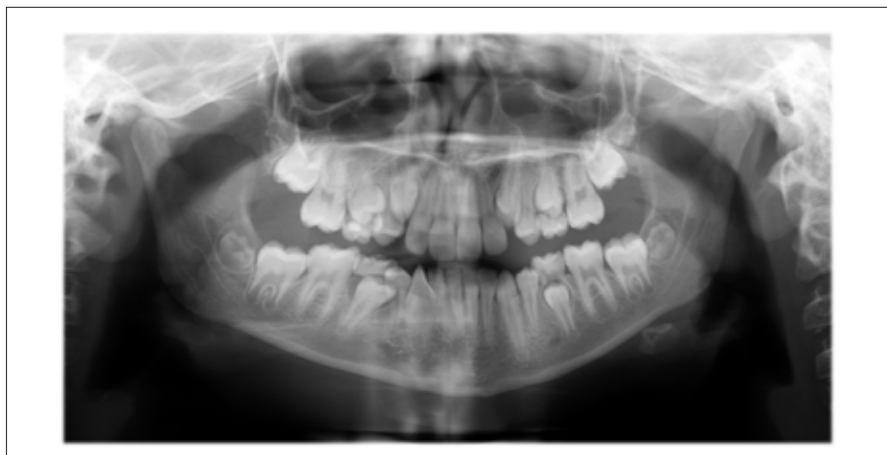


Comprehensive Views, Clear and Sharp

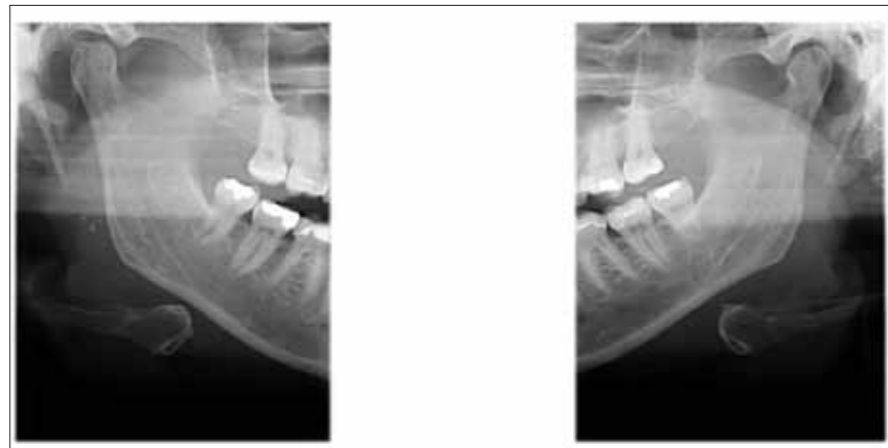
Better diagnostics with panoramic imaging begins with accurate, clear views of the patient's anatomy. The GXDP-300 features proprietary technology to capture well-defined, high-quality images — in an instant — with consistent magnification and image uniformity. Utilize VixWin™ Platinum with its powerful imaging tools to advance diagnostic capabilities and accelerate workflow; or view images in a variety of imaging software programs employing GxTWAIN interface.



Standard Adult Panoramic



Child Panoramic



TMJ



Bitewing

Patients who are unable to tolerate intraoral bitewings will appreciate the less invasive, more comfortable bitewing feature. With the GXDP-300, the bitewing view comes standard along with Adult and Child Panoramic and TMJ projections.





Column controls for easy patient height adjustment



5.7" touchscreen LCD for easy operation



Chin rest with adaptable anterior position adjustment

Positioned for Success

The EasyPosition™ system and instructive alignment guides appropriately place and stabilize patients of all sizes, including those needing wheelchair accessibility, to reduce movement and optimize accuracy.

Complete your patient scans in just a few simple steps: using the touchscreen control panel, select the imaging projection, choose the appropriate patient size, and take the scan. It's truly that fast and easy!



Unique head support holds the patient stable to reduce movement



Ergonomically designed handgrips help enhance patient comfort



Laser alignment lights accurately guide patient positioning

Enhance Efficiency With Easy-to-Use Features

Count on over 100 years of Gendex imaging expertise, and an award-winning lineage of design success, to help you achieve your digital panoramic capabilities. We've incorporated many details into one affordable package. Thoughtfully developed features, proven technology, and functionally stylistic design create a system that's ready to provide your practice with great images for many years to come.

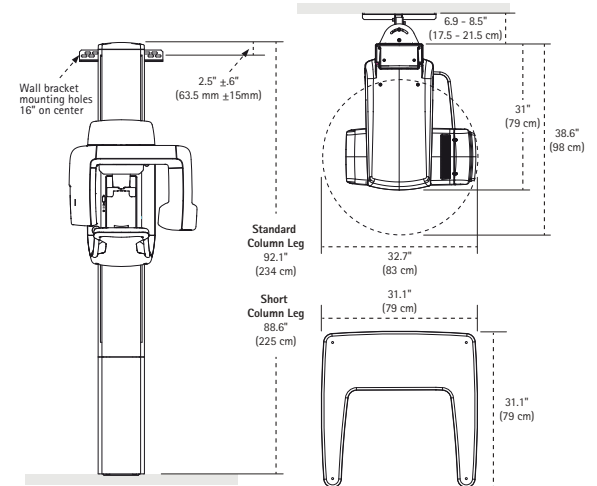
Technical Specifications

Gendex GXDP-300™ Digital Panoramic X-ray System

Anode Voltage	66, 70 and 73 kV (± 4 kV)
Anode Current	8 mA (± 1 mA)
Interface	10/100 with 1GB Compliant Ethernet
Focal Spot	0.5 mm, IEC 60336 (1993)
Exposure Time	10.6 sec. for child pan, 12 sec. for standard pan, 5 sec. for TMJ, 5 sec. for Bitewing
Image Pixel Size	96 μ m
Active Sensor Surface	147.5 x 6.1 mm
Line Voltage	100-120 VAC / 220-240 VAC, 50/60 Hz
Maximum Line Power Rating	10 A at 100/120 V, 4 A at 220/240 V
Weight	265 lbs (120 kg)
Warranty	2 years

The Gendex GXDP-300 is a Class I Laser Product and complies with FDA performance standards for laser products except for deviations pursuant to Laser Notice No. 50, dated June 24, 2007. Laser radiation is emitted during positioning (Wavelength: 650nm, Output Power ≤ 1 mW) and users and patients should not stare into the beam.

Unit Dimensions



PC Requirements	Minimum	Recommended
Operating System	Microsoft® Windows® XP with service pack SP3	Microsoft® Windows® 7 Professional 64 bit
Processor	Intel Celeron® M 1.6 GHz	Intel® Core™ 2 Duo 2.4 GHz
Memory	2 GB	4 GB
Hard Disk	250 GB	500 GB
Display Settings	1024 x 768 at 32 bit true color	1280 x 1024 at 32 bit true color
Video Memory	1 GB	4 GB
Ethernet Port	10/100 with 1GB Compliant	
Driver	GxPicture 3.2 or higher	
Standards	In compliance with the UL/IEC/EN 60950 standard	

Microsoft®, Windows®, Intel® and Celeron® are trademarks of their respective owners.



KaVo Dental GmbH
 D-88400 Biberach/Riss
 Telefon +49 7351 56-0
 Fax +49 7351 56-1488
 www.gendex-dental.com



Become a fan
[facebook.com/KaVoGlobal](https://www.facebook.com/KaVoGlobal)



Follow us
[youtube.com/user/KaVoDentalGmbH](https://www.youtube.com/user/KaVoDentalGmbH)