



# Leica M220 F12

Microscope for Routine Ophthalmic Surgery

Living up to Life

**Leica**  
MICROSYSTEMS



Originated from the Swiss company WILD Heerbrugg, Leica Microsystems has powerful genes: our passion for high precision optics and innovation as well as our relentless dedication to quality finds their way into each and every one of our products.



Leica Microsystems' longtime cooperation with ophthalmic surgeons in over 100 countries worldwide has led to a continuously broadened portfolio of innovative surgical microscopes. A milestone in ophthalmic surgery was set in 1982 with the WILD/Leica M690, which left innumerable users speechless in excitement.

With the Leica M220 F12, a high-quality microscope for routine ophthalmic surgery is now also available for the cost-conscious user.

# Leica M220 F12

The new Leica M220 F12 microscope is fully dedicated to the needs of ophthalmic surgery.

Featuring prestigious Leica optics, innovative LED-illumination and intuitive, user-friendly operation, the Leica M220 F12 is designed for a smooth and fatigue-free surgery experience.

The price is right, and the quality is 100% Leica Microsystems for many years of reliable operation.



Leica Design by Christophe Apothéloz

# Leica Quality for Small Budgets



## **High productivity**

Handsfree adjustment of the motorized 5-step APO-chromatic magnification changer and focus helps to speed up surgery.

## **Fatigue-free surgery**

Prestigious Leica optics create a crisp and contrast-rich image with excellent depth of focus.

## **Latest innovation LED-illumination**

Instant and perfectly stable Red Reflex from unique, direct LED-lightsource.

## **Low cost of ownership**

Design without fibre optics cable and 60000 hours of nominal LED-life expectancy ensure many years of reliable operation at minimal cost.

## **Maximum positioning flexibility**

The compact-in-size, long-in-reach stand system allows a high degree of positioning freedom.



## **Leica Quality**

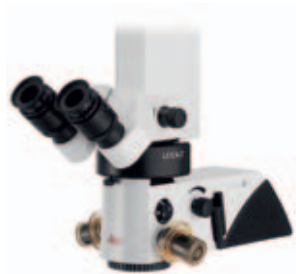
Excellence in optics, precision and reliability.

## **Modularity and upgradeability**

A wide range of observation accessories meets all users' ergonomic requirements, offering the best possible view. The modular system allows a subsequent and straightforward upgrade.



Variable binocular tube



Integrated camera



Assistant microscope tube and camera

# Technical Data Leica M220 F12

## Microscope

Magnification changer	APO-chromatic 5-step-changer, motorized
Focusing	Motorized, 40mm, adjustable speed
Objective	Leica f = 200mm OPTIONS: 175mm, 225mm, or Leica WD = 175mm, 200mm APO
Eyepieces	10× / 21 B wide-field eyepieces for eye-glasses wearers Diopter adjustment +/- 5 with adjustable eyecup
LED-illumination	Homogenous, coaxial, integrated Red Reflex illumination, Sterile adjustment of light intensity by surgeon Long-lasting LED-illumination free of UV and IR 2 free openings for selectable filters dia 32mm Inclining mechanism +/- 15° manual fine adjustment Adjustable speed for drives
Foot switch	8-Function foot switch, waterproof
XY-unit	Optional/upgradeable XY-unit Positioning range 40 × 40mm with reset, adjustable speed

## Stand

Type	Compact floor stand
Base	Compact foot with 4 movable rollers, 4 foot brakes
Base dimension	608 × 608mm
Maximum load	3.5kg accessories on the microscope
Maximum reach	1068mm
Minimum transport height	1680mm
Weight approx.	100kg (minimum equipment)

## Accessories

Assistant's attachment	Stereo co-viewer, Monocular co-viewer
Beam splitter	50/50% or 70/30%
TV/photo	Leica 2D video system, Leica Zoom Video Adapter f = 35–100mm Photo/TV dual attachment f = 60/85/107mm for TV, f = 250/350mm for 35-mm camera TV attachment f = 107mm, Photo attachment f = 250/350mm
Asepsis	Sterilisable components for all controls

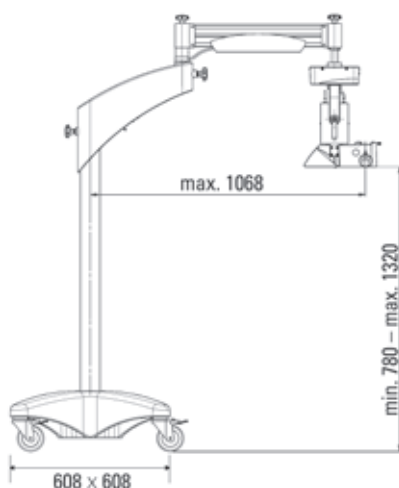
## Electrical data

Supply	100–240 VAC, +/- 10%, 50/60 Hz/100 VA
Protection class	Class 1

## Conformity

- Medical devices directive 93/42/EEC  
Classification: Class I, in compliance with appendix IX, rule 1, with reference to rule 12 of the directive.
  - Medical electrical equipment, Part 1: General requirements for safety IEC 60601-1; EN 60601-1; UL60601-1; CAN/CSA-C22.2 NO. 601.1-M90
  - Electromagnetic compatibility IEC 60601-1-2; EN 60601-1-2
- The Surgical Division, within Leica Microsystems (Schweiz) AG, has the management system certificate for the international standards ISO 9001:2000 / ISO 13485:2003 and ISO 14001:2004 relating to quality management, quality assurance and environmental management.

Dimensions in mm



# Welcome to the Ophthalmic World of Leica

## Leica M220 F12

Microscope for routine  
ophthalmic surgery



## Leica M620 F18/F20

The easy-to-use, high  
quality surgical microscope  
for ophthalmology



## Leica M820 F19

High performance  
microscope for  
ophthalmic surgery



## Leica M844 F40

Redefining the  
premium class in  
ophthalmic surgery



The right equipment  
for every purpose

	Anterior Segment	Posterior Segment	Teaching
Leica M220	**	(*)	(*)
Leica M620	***	*	*
Leica M820	****	**	**
Leica M844	****	****	****

# “With the user, for the user”

## Leica Microsystems

Leica Microsystems operates internationally in four divisions, where we rank with the market leaders.

### • Life Science Division

The Leica Microsystems Life Science Division supports the imaging needs of the scientific community with advanced innovation and technical expertise for the visualization, measurement, and analysis of microstructures. Our strong focus on understanding scientific applications puts Leica Microsystems' customers at the leading edge of science.

### • Industry Division

The Leica Microsystems Industry Division's focus is to support customers' pursuit of the highest quality end result. Leica Microsystems provide the best and most innovative imaging systems to see, measure, and analyze the microstructures in routine and research industrial applications, materials science, quality control, forensic science investigation, and educational applications.

### • Biosystems Division

The Leica Microsystems Biosystems Division brings histopathology labs and researchers the highest-quality, most comprehensive product range. From patient to pathologist, the range includes the ideal product for each histology step and high-productivity workflow solutions for the entire lab. With complete histology systems featuring innovative automation and Novocastra™ reagents, Leica Microsystems creates better patient care through rapid turnaround, diagnostic confidence, and close customer collaboration.

### • Surgical Division

The Leica Microsystems Surgical Division's focus is to partner with and support surgeons and their care of patients with the highest-quality, most innovative surgical microscope technology today and into the future.

The statement by Ernst Leitz in 1907, “with the user, for the user,” describes the fruitful collaboration with end users and driving force of innovation at Leica Microsystems. We have developed five brand values to live up to this tradition: Pioneering, High-end Quality, Team Spirit, Dedication to Science, and Continuous Improvement. For us, living up to these values means: **Living up to Life.**

### Active worldwide

Australia:	North Ryde	Tel. +61 2 8870 3500	Fax +61 2 9878 1055
Austria:	Vienna	Tel. +43 1 486 80 50 0	Fax +43 1 486 80 50 30
Belgium:	Groot Bijgaarden	Tel. +32 2 790 98 50	Fax +32 2 790 98 68
Canada:	Richmond Hill/Ontario	Tel. +1 905 762 2000	Fax +1 905 762 8937
Denmark:	Herlev	Tel. +45 4454 0101	Fax +45 4454 0111
France:	Rueil-Malmaison	Tel. +33 1 47 32 85 85	Fax +33 1 47 32 85 86
Germany:	Wetzlar	Tel. +49 64 41 29 40 00	Fax +49 64 41 29 41 55
Italy:	Milan	Tel. +39 02 574 861	Fax +39 02 574 03392
Japan:	Tokyo	Tel. +81 3 5421 2800	Fax +81 3 5421 2896
Korea:	Seoul	Tel. +82 2 514 65 43	Fax +82 2 514 65 48
Netherlands:	Rijswijk	Tel. +31 70 4132 100	Fax +31 70 4132 109
People's Rep. of China:	Hong Kong	Tel. +852 2564 6699	Fax +852 2564 4163
Portugal:	Lisbon	Tel. +351 21 388 9112	Fax +351 21 385 4668
Singapore		Tel. +65 6779 7823	Fax +65 6773 0628
Spain:	Barcelona	Tel. +34 93 494 95 30	Fax +34 93 494 95 32
Sweden:	Kista	Tel. +46 8 625 45 45	Fax +46 8 625 45 10
Switzerland:	Heerbrugg	Tel. +41 71 726 34 34	Fax +41 71 726 34 44
United Kingdom:	Milton Keynes	Tel. +44 1908 246 246	Fax +44 1908 609 992
USA:	Bannockburn/Illinois	Tel. +1 847 405 0123	Fax +1 847 405 0164

and representatives in more than 100 countries

The Surgical Division, within Leica Microsystems (Schweiz) AG, holds the management system certificates for the international standards ISO 9001:2000 / ISO 13485:2003, and ISO 14001:2004 relating to quality management, quality assurance and environmental management.

